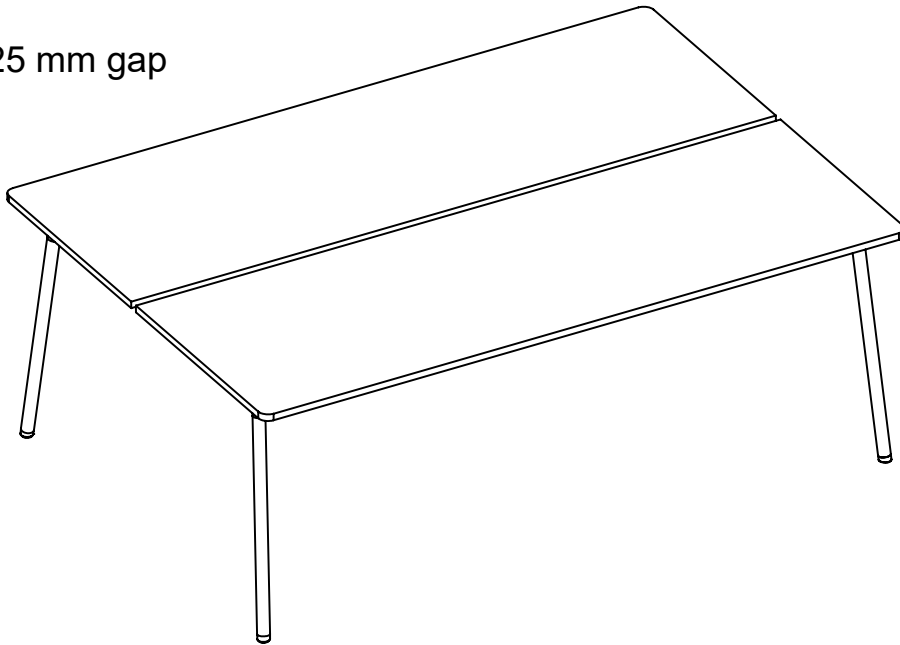


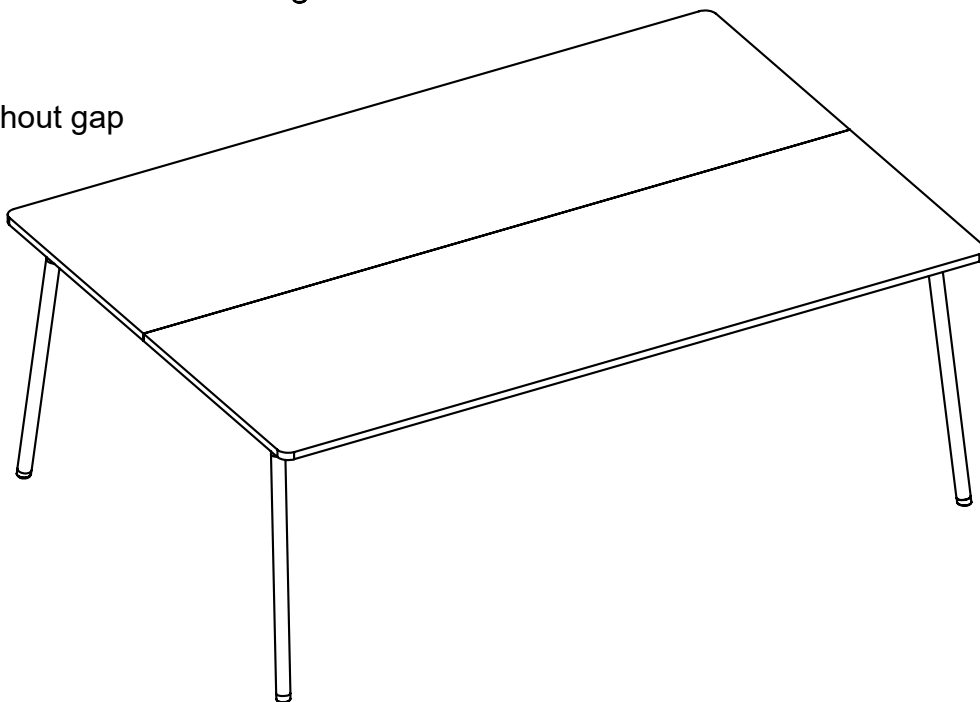
FourReal® Flex

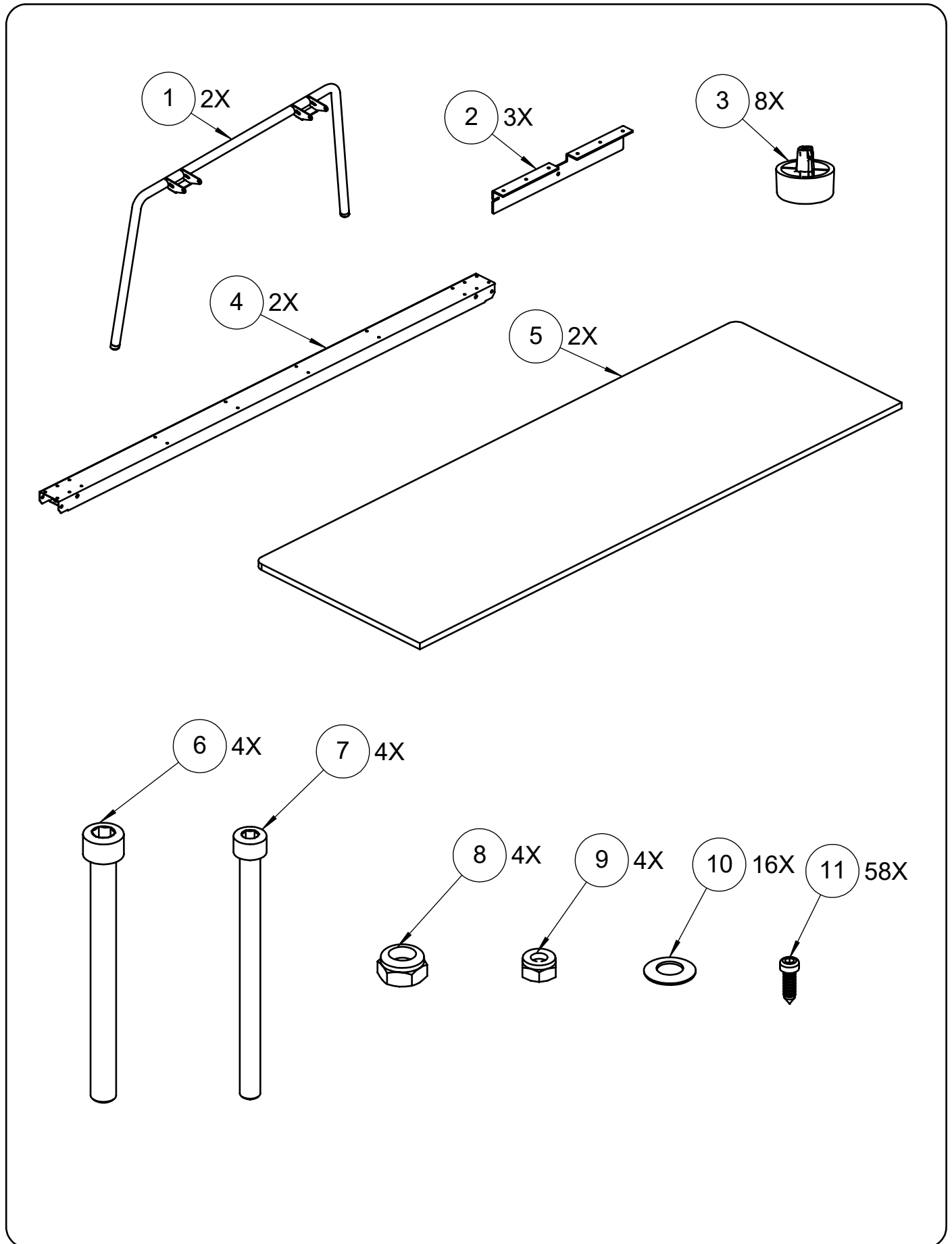
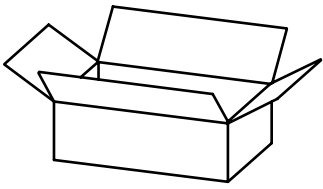
FourReal® Flex L2000 x W1400

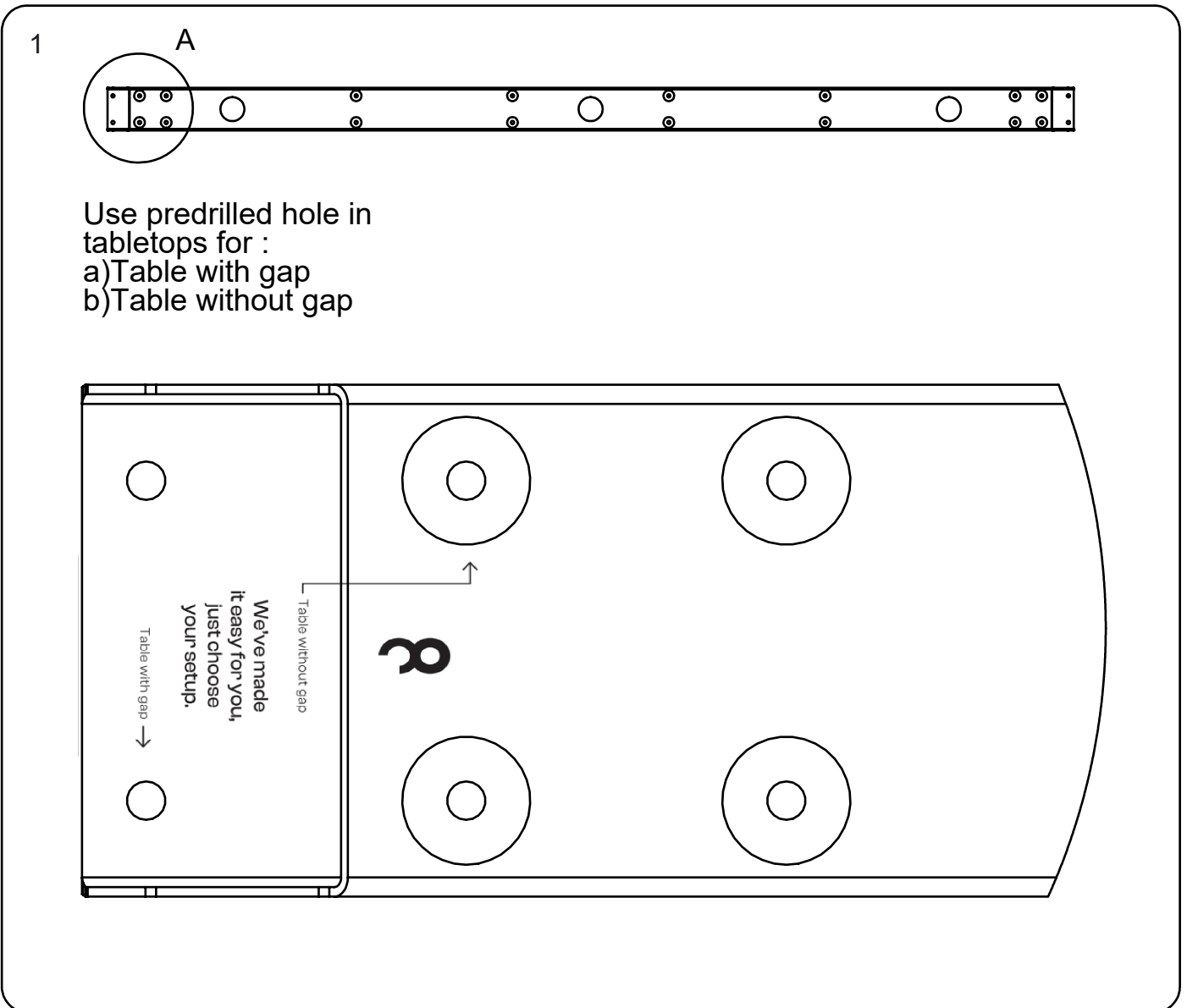
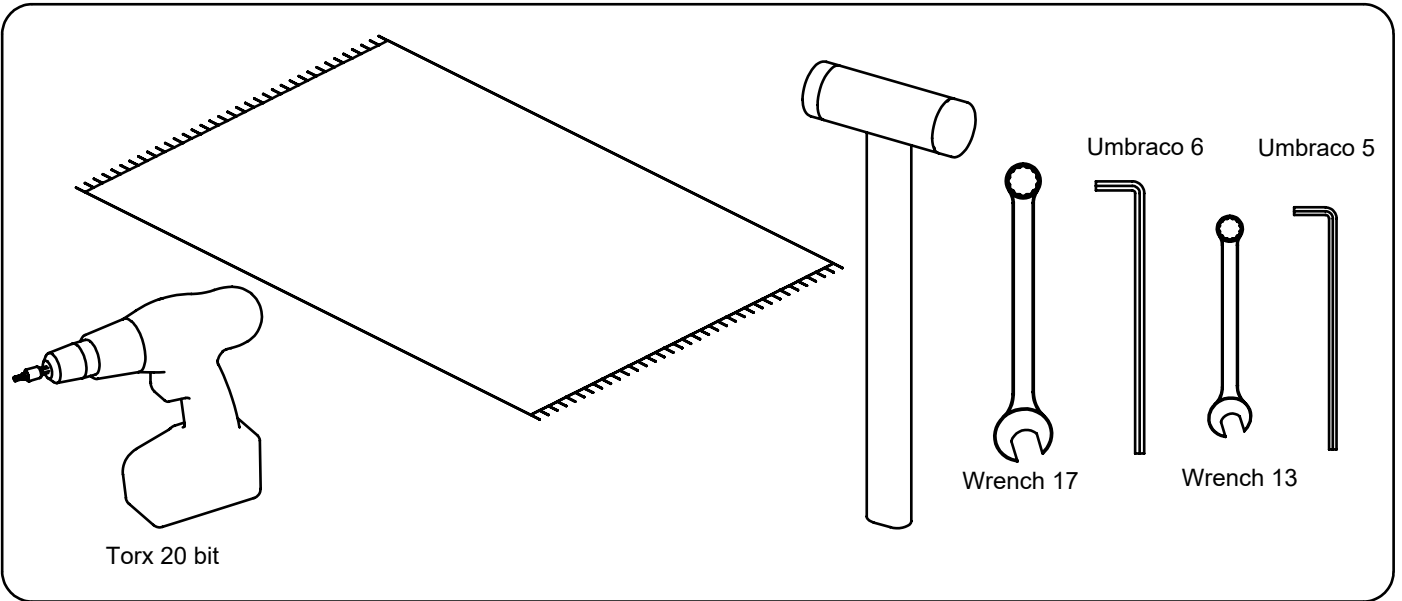
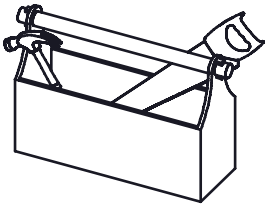
a) With 25 mm gap

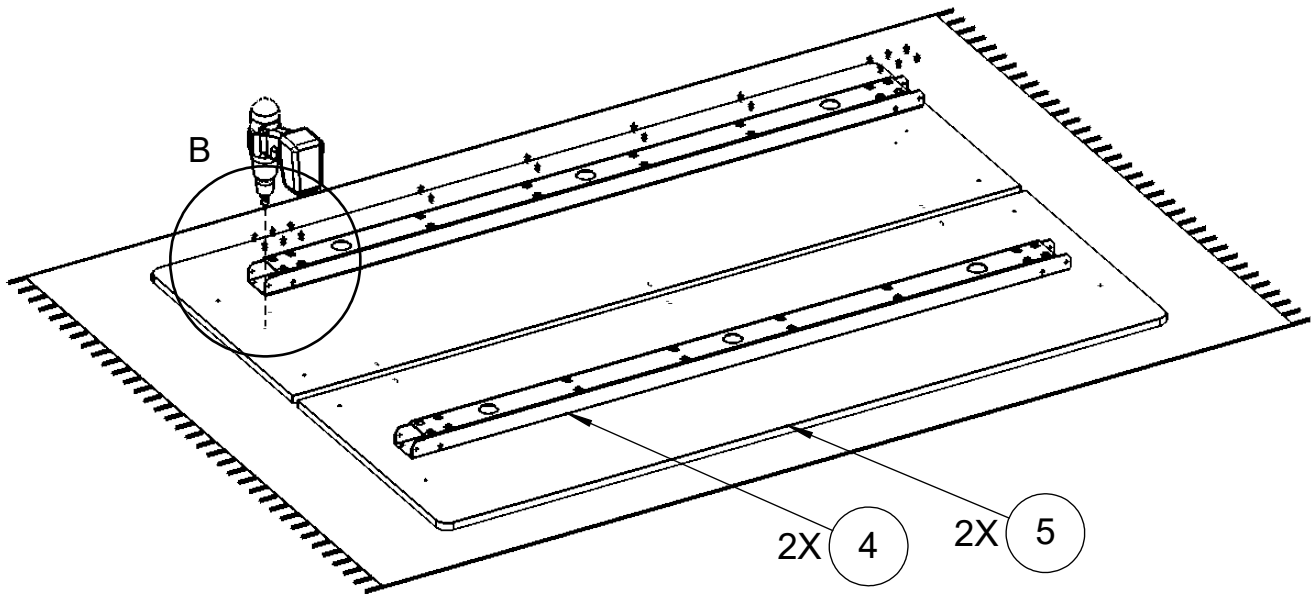


b) Without gap



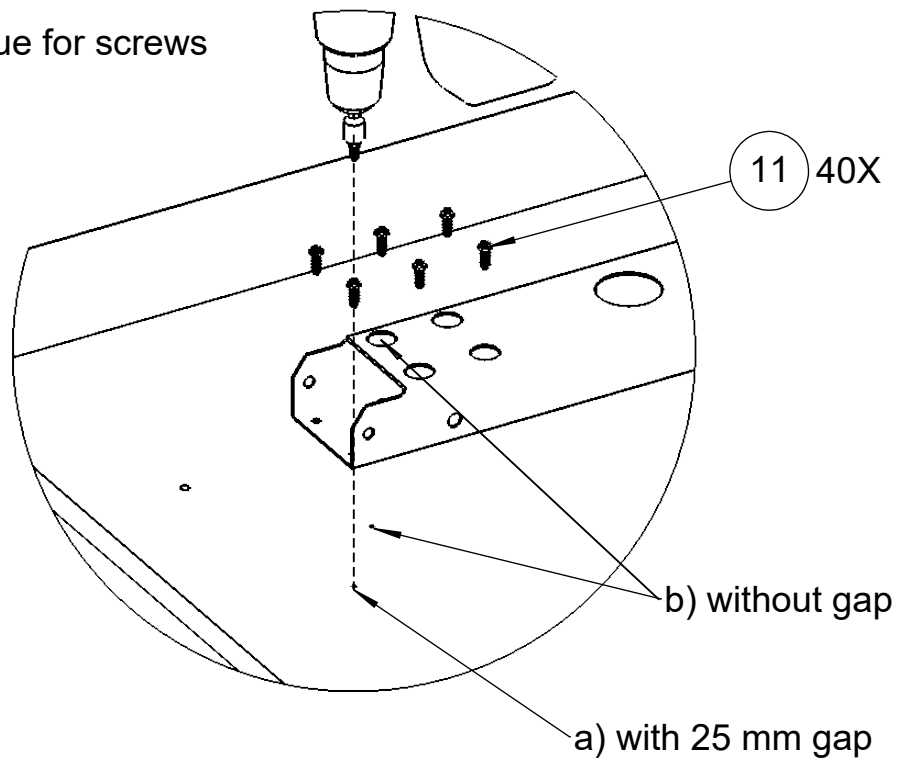


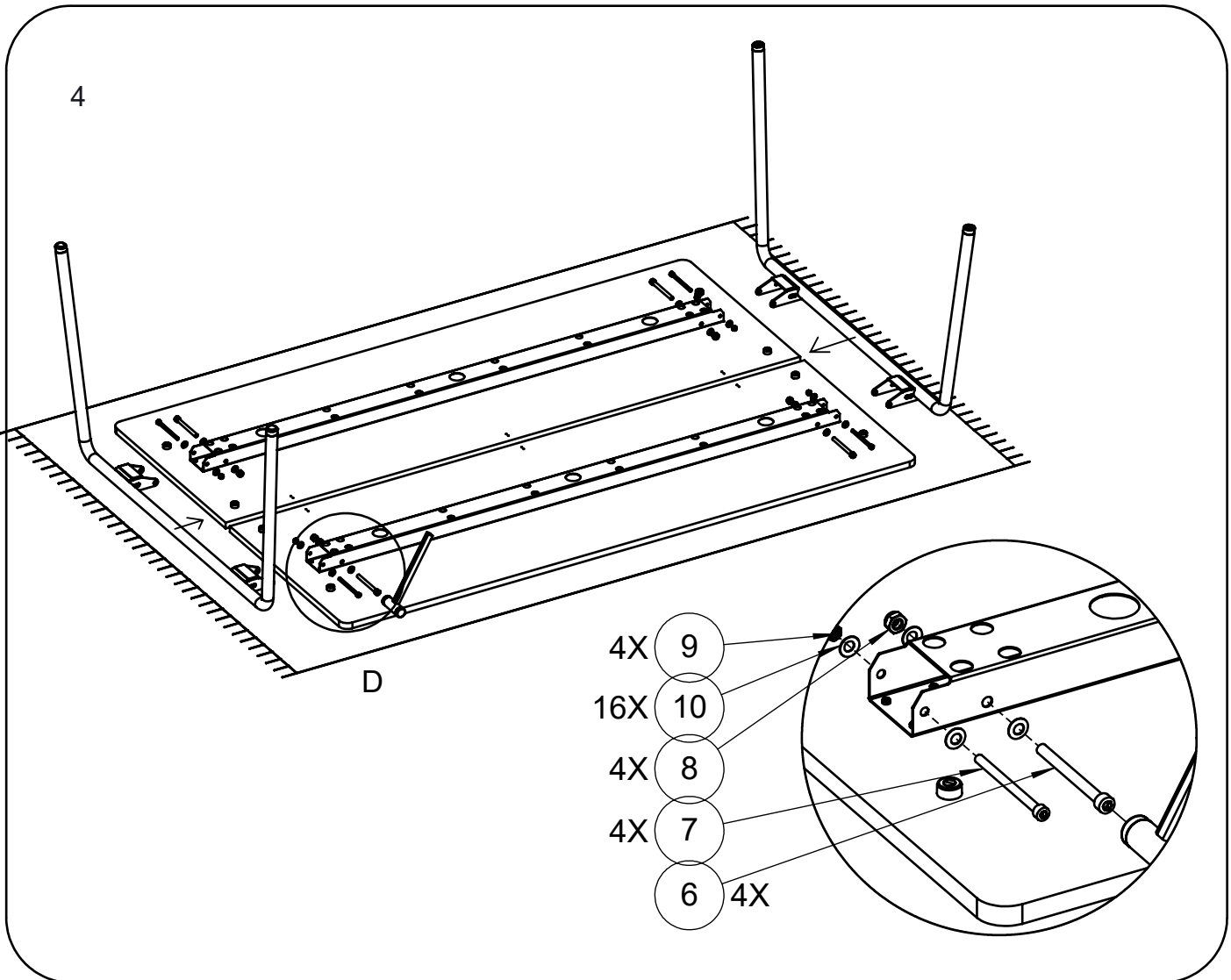
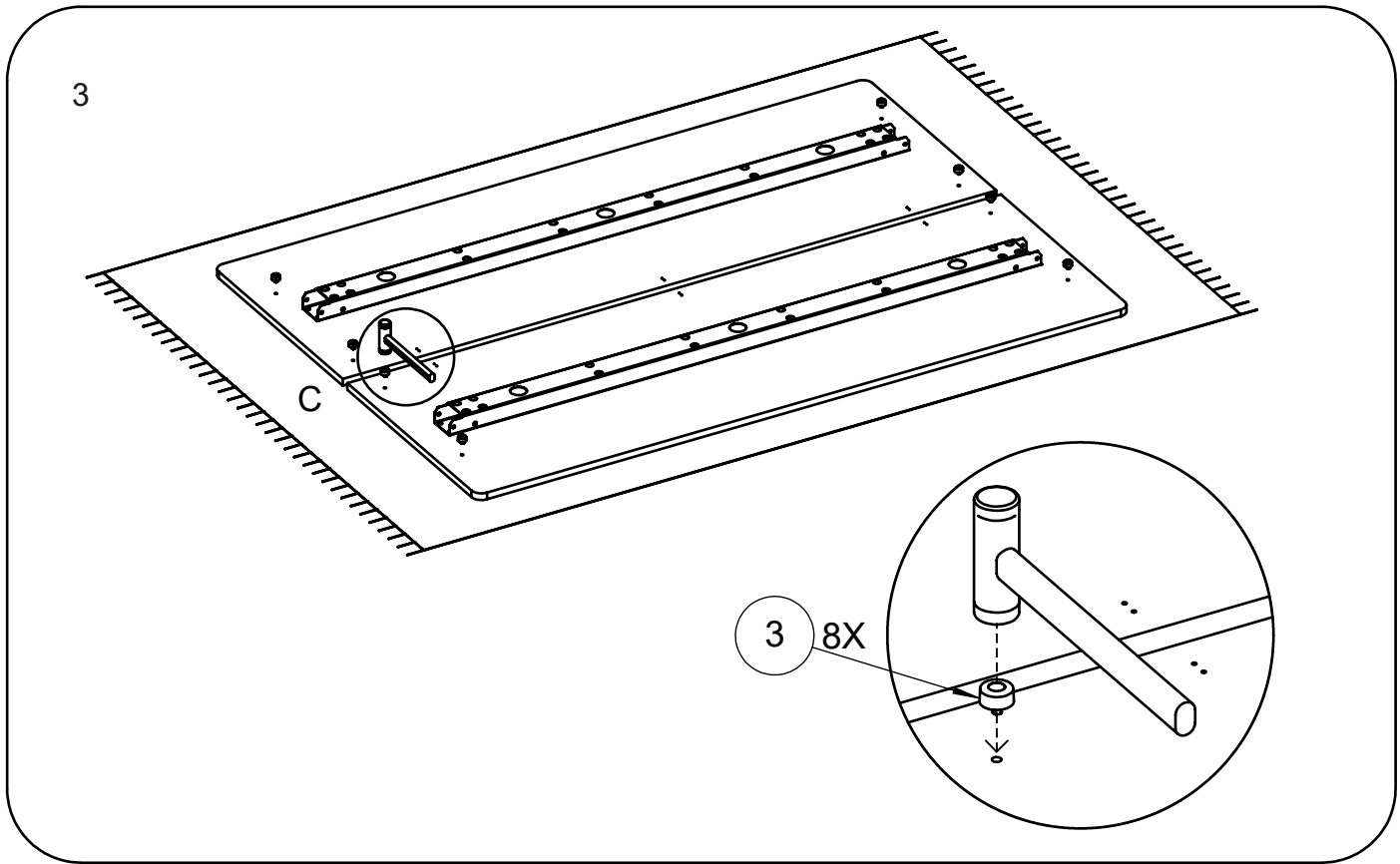




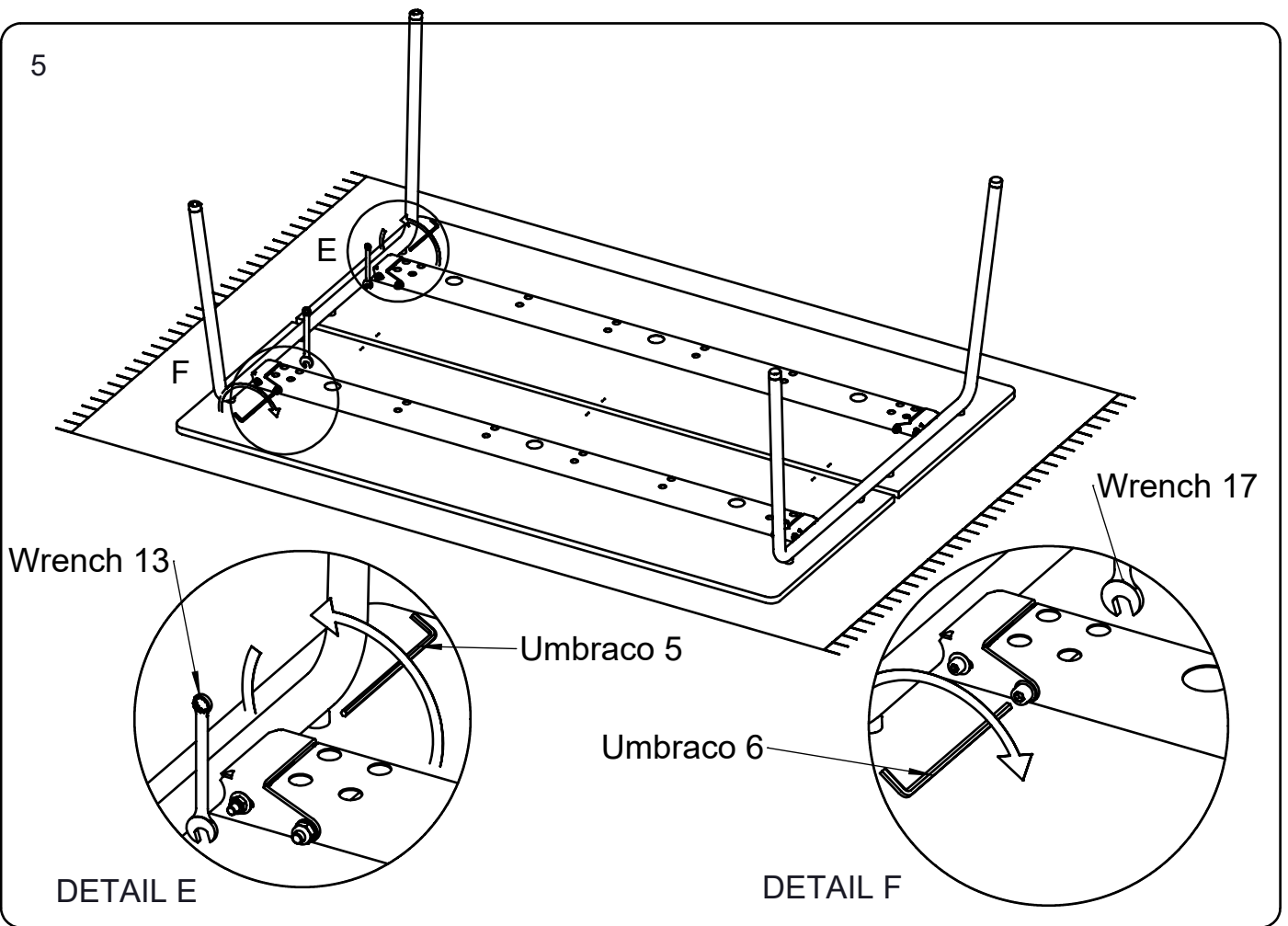
Use predrilled hole in
tabletops for :
a) Table with gap
b) Table without gap

Tightening torque for screws
= 2 Nm

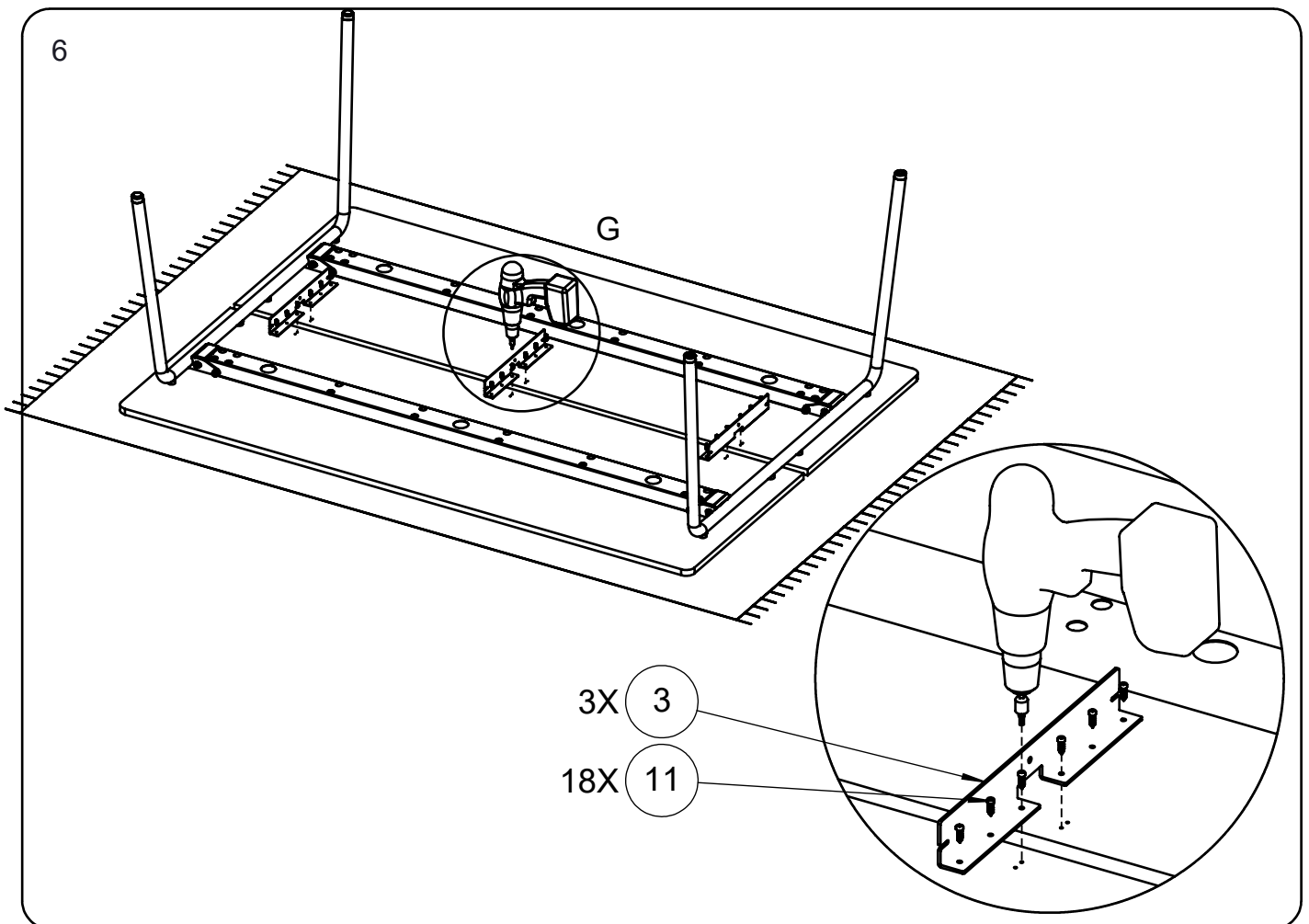




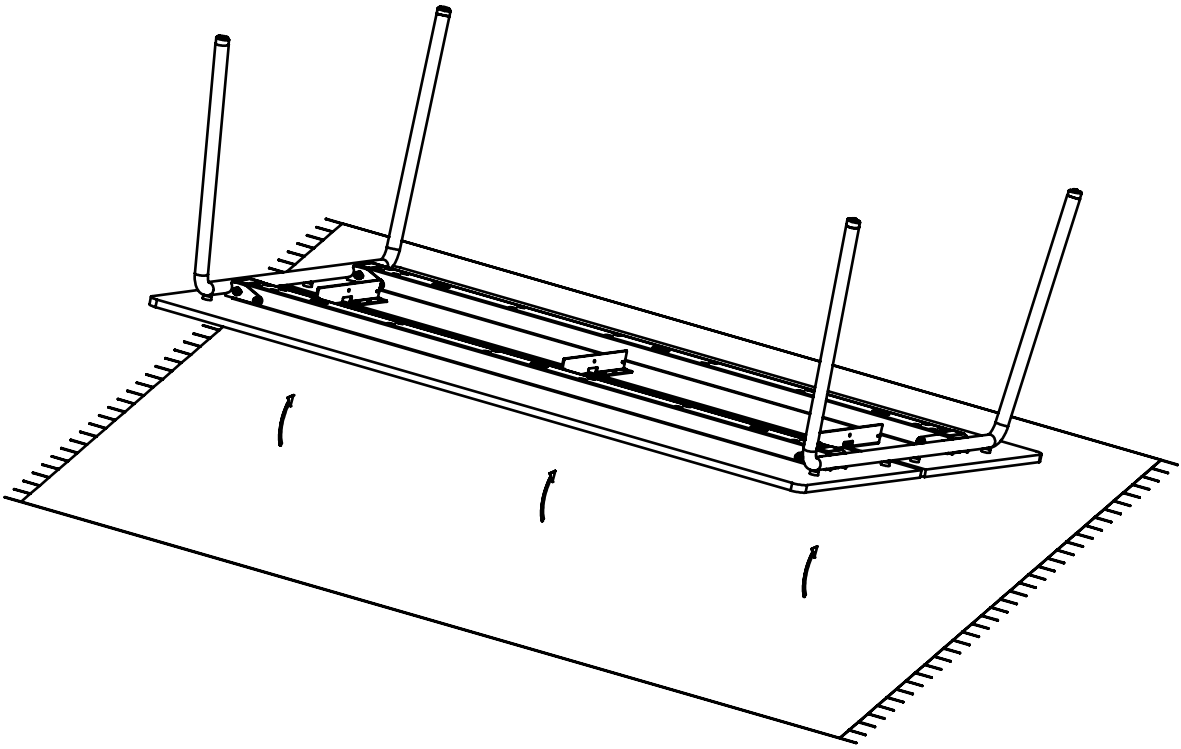
5



6



7



8

